



GUARD DOG®

CABLE PROTECTORS

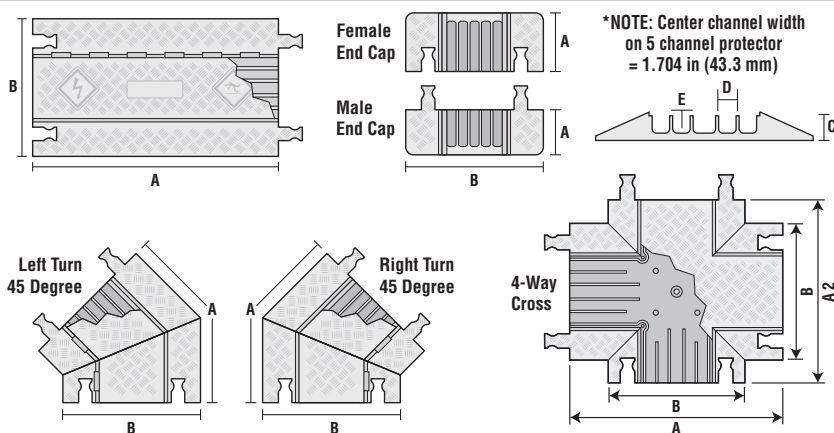
HEAVY DUTY

5 & 3 CHANNEL SYSTEMS

The fast and easy way to guard and protect valuable electrical cables and hose lines from damage and abuse while providing a method of safe crossing for constant vehicle and pedestrian traffic. Each cable/hose line is separated and organized in its own protective channel to ensure safety. Ideal for use in amusement parks, entertainment venues, sporting events, and in most public, commercial, industrial, construction, and utility applications.

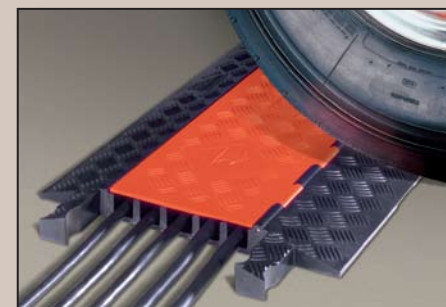
GUARD DOG® 5 CHANNEL WITH DOG BONE CONNECTORS

MODEL	DESCRIPTION	A LENGTH	B WIDTH	C HEIGHT	D-CHANNEL WIDTH*	E-CHANNEL HEIGHT	WEIGHT
GD5X125	5-Channel Protector	36 in. (914.4 mm)	19.75 in. (501.7 mm)	1.875 in. (47.6 mm)	1.339 in. (34.0 mm)	1.325 in. (33.65 mm)	21.0 lbs. (9.6 kg)
GDEC5X125 (Pair Only)	5-Ch. End Caps (female) (male)	female 8.75 in. male 5.25 in.	19.75 in. (501.7 mm)	1.875 in. (47.6 mm)	1.339 in. (34.0 mm)	1.325 in. (33.65 mm)	6.0 lbs. (2.8 kg)
GDT5X125-R	45° Right Turn	24.5 in. (622.3 mm)	19.75 in. (501.7 mm)	1.875 in. (47.6 mm)	1.339 in. (34.0 mm)	1.325 in. (33.65 mm)	11.0 lbs. (5.0 kg)
GDT5X125-L	45° Left Turn	24.5 in. (622.3 mm)	19.75 in. (501.7 mm)	1.875 in. (47.6 mm)	1.339 in. (34.0 mm)	1.325 in. (33.65 mm)	11.0 lbs. (5.0 kg)
GDCR5X125	4-Way Cross	A = 28.5 in. A2 = 24.5 in.	19.75 in. (501.7 mm)	1.875 in. (47.6 mm)	1.339 in. (34.0 mm)	1.325 in. (33.65 mm)	23.1 lbs. (10.5 kg)



45 degree turns and 4-way cross allow for additional configuration options for 5-channel systems

Protector Color: O/B = Orange Lid with Black Ramps • B/B = Black Lid with Black Ramps • End Cap: Orange



Guard Dog® 5 Channel - protects cable and hose lines up to 1.3 in. outside diameter



4-Way Cross allows for additional configurations

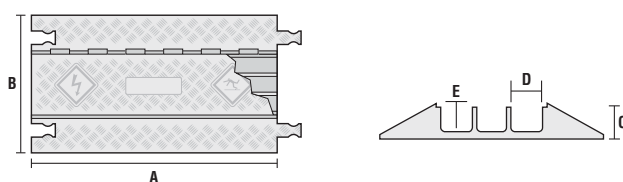
ACCESSORIES

for Guard Dog® 5 Channel Protectors | for Guard Dog® 3 Channel Protectors

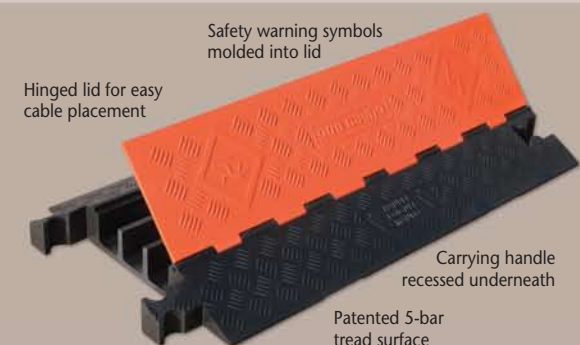
SEE PAGES 18, 19, 20, 21 & 22! | **SEE PAGE 21!**

GUARD DOG® 3 CHANNEL WITH DOG BONE CONNECTORS

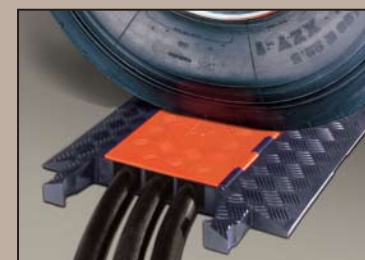
MODEL	DESCRIPTION	A LENGTH	B WIDTH	C HEIGHT	D-CHANNEL WIDTH	E-CHANNEL HEIGHT	WEIGHT
GD3X225	3-Channel Protector	36 in. (914.4 mm)	20 in. (510 mm)	3 in. (76.5 mm)	2.25 in. (58.0 mm)	2.25 in. (58.0 mm)	30.0 lbs. (13.6 kg)



Protector Color: O/B = Orange Lid with Black Ramps • B/B = Black Lid with Black Ramps



Heavy duty "Dog Bone" connectors to extend to any desired length



Guard Dog® 3 Channel - protects cable and hose lines up to 2.25 in. outside diameter

SPECIFICATION DATA

Material..... Polyurethane (UV stabilized)
 Operating Temp..... -40°F to 120°F (-40°C to 48°C)
 Hinge Pin Material..... Reinforced fiberglass
 Safety Symbols..... Per ANSI. Z535.3-1991

LOAD CAPACITY PER TIRE / AXLE

Channels	Max Load 70°F (21°C)
5	10,500 lbs./Tire (4,763 kg) 21,000 lbs./Axle (9,526 kg)
3	14,210 lbs./Tire (6,446 kg) 28,420 lbs./Axle (12,892 kg)



Safety Warning Symbols Molded into Lid



See Page 21 for ADA Compliant Ramps