

FASTLANE®

DROP OVER CABLE PROTECTORS

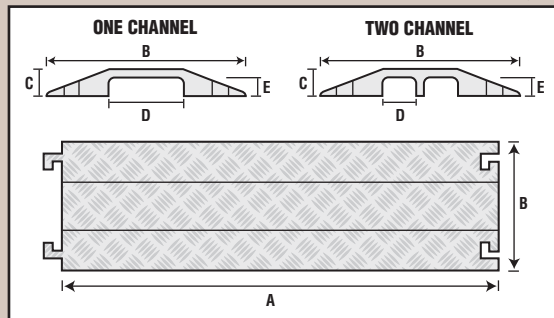
DROP OVER PROTECTORS

The easy way to protect small cables and cords at home, offices, warehouses, theaters, convention centers, shopping malls, schools and other commercial and industrial environments.

FASTLANE® Drop Over Protectors are made from durable polyurethane and feature heavy duty, patented "L" shape connectors for easily attaching additional protectors to extend to any desired length. Patented 5-bar tread plate surface provides maximum traction for carts and pedestrian traffic. These low profile protectors fit multiple cable sizes and are compact for easy set-up, take-down and storage.

- Modular design for quick and easy set-up, breakdown & storage
- Patented 5-bar tread plate surface provides maximum traction
- Molded in safety warning symbols
- Heavy duty patented "L" shaped connectors
- Universal safety colors
- UV stabilized

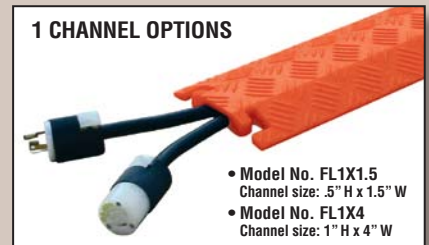
U.S. PATENT No: Des. 563,323



FASTLANE® DROP OVER CABLE PROTECTORS

MODEL	DESCRIPTION	A LENGTH	B WIDTH	C HEIGHT	D - CHAN. WIDTH	E - CHAN. HEIGHT	WEIGHT
FL1X1.5	Drop Over Protector 1 Channel	36 in. (914.4 mm)	5.25 in. (133.3 mm)	.75 in. (19 mm)	1.5 in. (39 mm)	.5 in. (12.7 mm)	3 lbs. (1.4 kg)
FL1X4	Drop Over Protector 1 Channel	36 in. (914.4 mm)	10.75 in. (273 mm)	1.5 in. (38.1 mm)	4 in. (101.6 mm)	1 in. (25.4 mm)	8 lbs. (3.6 kg)
FL2X1.75	Drop Over Protector 2 Channel	36 in. (914.4 mm)	10.75 in. (273 mm)	1.5 in. (38.1 mm)	1.75 in. (44.5 mm)	1 in. (25.4 mm)	9 lbs. (4.2 kg)

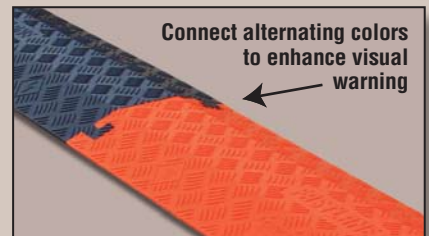
*Specify Color after Model #: O = Orange; B = Black



FASTLANE® DROP OVER CABLE PROTECTORS WITH ANTI-SLIP RUBBER PADS

MODEL	DESCRIPTION	A LENGTH	B WIDTH	C HEIGHT	D - CHAN. WIDTH	E - CHAN. HEIGHT	WEIGHT
FL1X1.5-RP	Drop Over Protector with Anti-Slip Rubber Pads - 1 Channel	36 in. (914.4 mm)	5.25 in. (133.3 mm)	.75 in. (19 mm)	1.5 in. (39 mm)	.5 in. (12.7 mm)	3.1 lbs. (1.45 kg)
FL1X4-RP	Drop Over Protector with Anti-Slip Rubber Pads - 1 Channel	36 in. (914.4 mm)	10.75 in. (273 mm)	1.5 in. (38.1 mm)	4 in. (101.6 mm)	1 in. (25.4 mm)	8.1 lbs. (3.65 kg)
FL2X1.75-RP	Drop Over Protector with Anti-Slip Rubber Pads - 2 Channel	36 in. (914.4 mm)	10.75 in. (273 mm)	1.5 in. (38.1 mm)	1.75 in. (44.5 mm)	1 in. (25.4 mm)	9.1 lbs. (4.25 kg)

*Specify Color after Model #: O = Orange; B = Black



NOTE: Drop over protectors do not prevent abrasion to cable from below.

OPTIONAL ANTI-SKID RUBBER PAD KITS

FLRPKIT-1X1.5	Optional Anti-Slip Rubber Pad Kit (includes 18 rubber pads) for FL1X1.5	.10 lbs. (.046 kg)
FLRPKIT-1X4	Optional Anti-Slip Rubber Pad Kit (includes 8 rubber pads) for FL1X4	.10 lbs. (.046 kg)
FLRPKIT-2X1.75	Optional Anti-Slip Rubber Pad Kit (includes 8 rubber pads) for FL2X1.75	.10 lbs. (.046 kg)

OPTIONAL BALLISTIC NYLON TRANSPORT/STORAGE BAG

FLB-40X8X12-B	Transport/Storage Bag with Strap (holds 8 small or 4 large FastLanes) - 40" x 8" x 12" - Black	3 lbs. (1.36 kg)
FLBS-59-B	Replacement Shoulder Strap for FastLane Transport/Storage Bag - 59" Long - Black	.5 lbs. (.23 kg)

SPECIFICATION DATA	
Material.....	Polyurethane (UV stabilized)
Operating Temp.....	-40°F to 120°F (-40°C to 48°C)
Safety Symbols.....	Per ANSI. Z535.3-1991

